



CIRCULAR No.42/00-3-1

INTERPRETATIONS

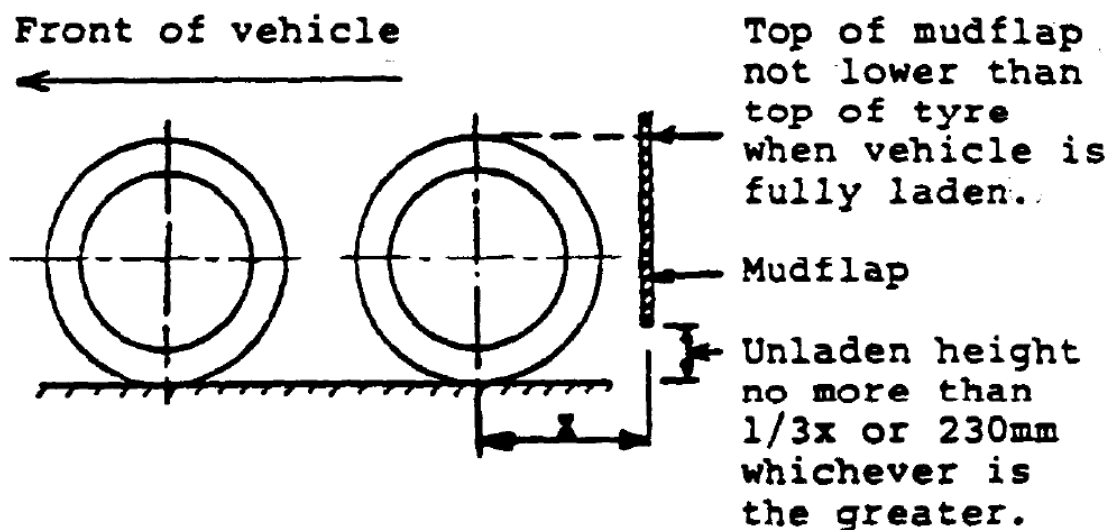
Attached are interpretations issued by the Board in respect of Australian Design Rule No. 42/00 - General Safety Requirements (July 1988).

They should be read in conjunction with Circular No. 0-11-1.

INTERPRETATION NO 1 (CAUSE 42.12.2.6)

Question: Will the Administrator under provision of clause 42.12.2.6 exempt a folding pole type trailer (log trailer, timber jinker) from the requirement to have wheel guards otherwise in accordance with clause 42.12.2?

Answer: The Administrator will exempt folding pole type trailers from the requirement to have wheel guards complying with clause 42.12.2 except that a mud flap shall be provided to meet the following requirements.



The mud flaps shall be flexibly mounted to the vehicle or removable so that damage to the mud flaps during loading operation is minimised.

The Administrator will also consider requests for exemption from manufacturers of other trailers where the design and use of the trailer make it impractical to fit full wheel guards complying with Clause 4.12.2.